

# TUFFBOXES

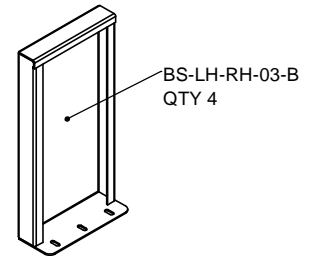
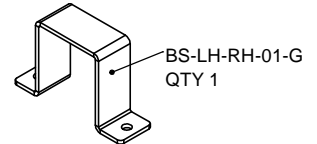
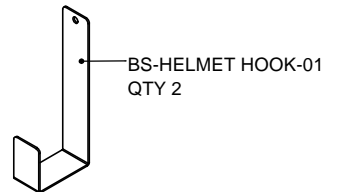
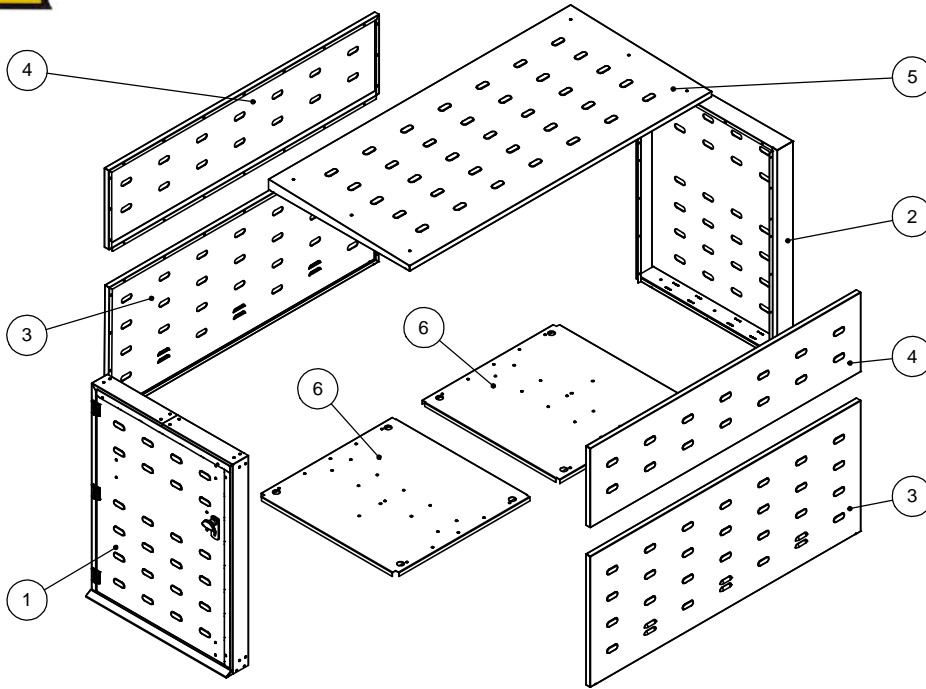
MADE IN BRITAIN

Call us: +44 (0) 845 313 2753

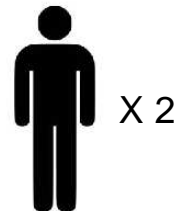
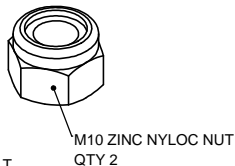
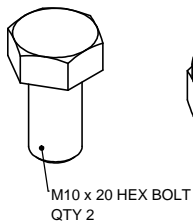
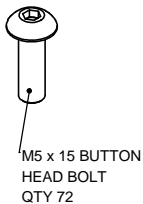
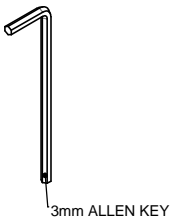
## BIKE SHED ASSEMBLY INSTRUCTIONS



Warning: some panels weigh over 20kg. Requires 2 person assembly



ITEM NO.	PART NUMBER	DESCRIPTION	QTY
1	BS-LH-A	SINGLE BIKE SHED LH DOOR (RH DOOR OPPOSITE HAND)	1
2	BS-LH-RH-B	BACK PANEL	1
3	BS-LH-RH-C	SIDE PANEL-1	2
4	BS-LH-RH-D	SIDE PANEL-2	2
5	BS-LH-RH-E	TOP PANEL	1
6	BS-LH-RH-F	BASE PANEL	2



### BASE INSTRUCTIONS

Flat and firm base recommended: Concrete, tarmac or paving flags. Floor fixings not supplied.

**TOOLS REQUIRED ( NOT SUPPLIED )**

17mm spanner x 2 and sealant gun.

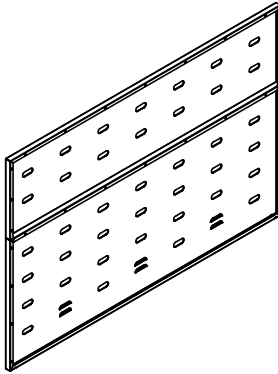
# TUFFBOXES

MADE IN BRITAIN

Call us: +44 (0) 845 313 2753

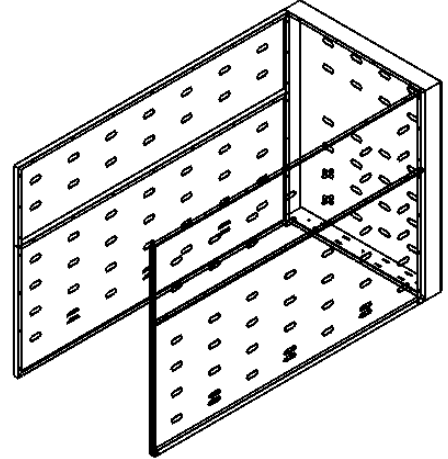
## BIKE SHED ASSEMBLY INSTRUCTIONS

1



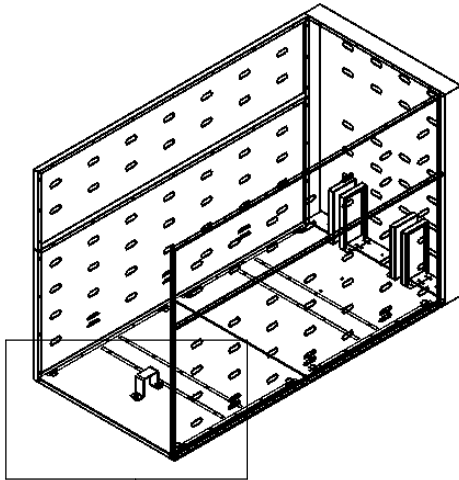
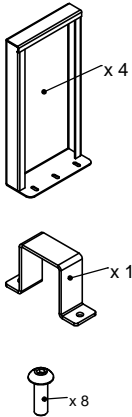
X 14

2



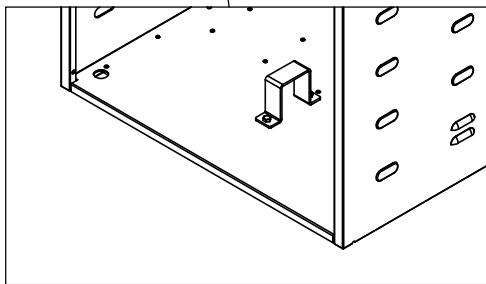
X 14

3



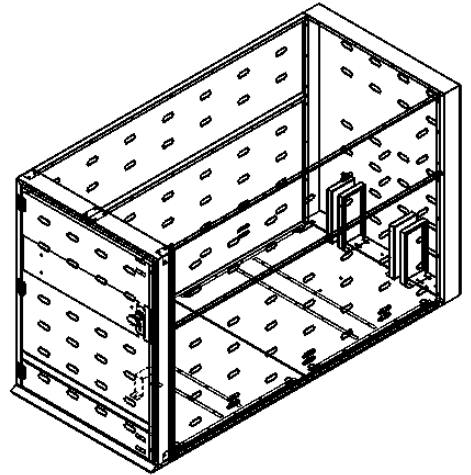
X 2

X 2



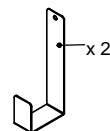
DETAIL A  
SCALE 2 : 25

4



X 14

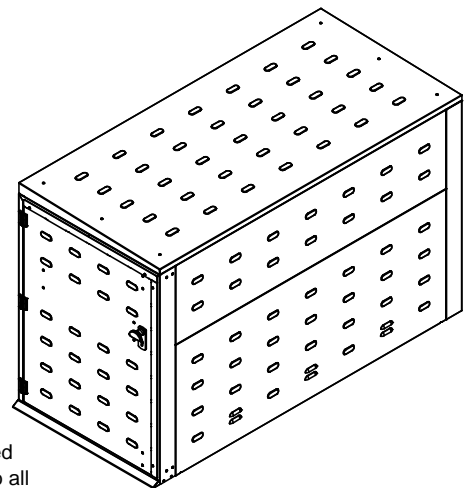
5



X 22



Once assembled  
apply sealant to all  
seams



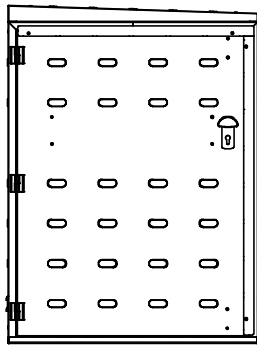
# TUFFBOXES

MADE IN BRITAIN

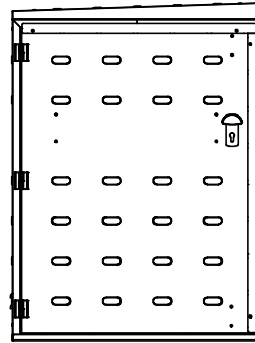
Call us: +44 (0) 845 313 2753

## BIKE SHED ASSEMBLY INSTRUCTIONS

ROOF PANEL CAN BE FITTED TO SLOPE EITHER WAY



OPTION 1



OPTION 2



SEE OUR FULL RANGE OF PRODUCTS AT

[www.tuffboxes.co.uk](http://www.tuffboxes.co.uk)